

Technical Specification

Design Standard : API 608

Face to Face : ASME B 16.10

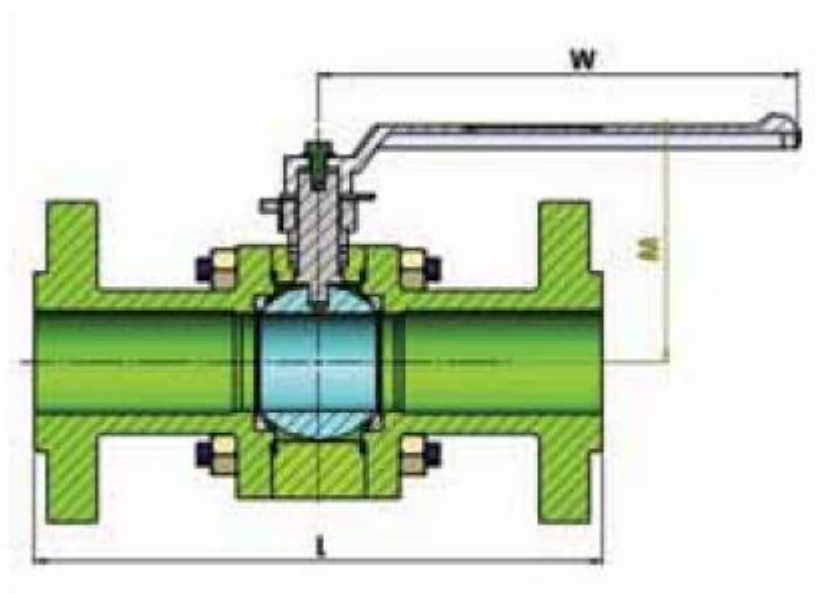
Flanged Size : ASME B 16.5

Test & Inspection : API598

The valve port sizes of serial valve connecting Flange and butt-welding terminal can be designed according to customer's

request

Forged floating ball valve RF end structure



Dimensions and Weights table:

► Dimensions and Weights

10MPa CLASS 600

DN	mm	15	20	25	40	50	65	80	100	125	150	200
NPS	in	$\frac{1}{2}$	$\frac{3}{4}$	1	$1\frac{1}{2}$	2	$2\frac{1}{2}$	3	4	5	6	8
Flange	L	165	190	216	241	292	330	356	406(432)			
Butt Welding	L1	165	190	216	241	292	330	356	406(432)			
Hand-Operated	H	73	80	86	110	142	171	185	220			
	W	160	160	230	400	400	650	650	800			
Worm Gear Operated	Kg	4.5	6.2	7.5	12.5	26.1	38.0	44.0	65.0			
	H							182	217			
	W							280	400			
	Type							O	A			
	Kg							50	95			