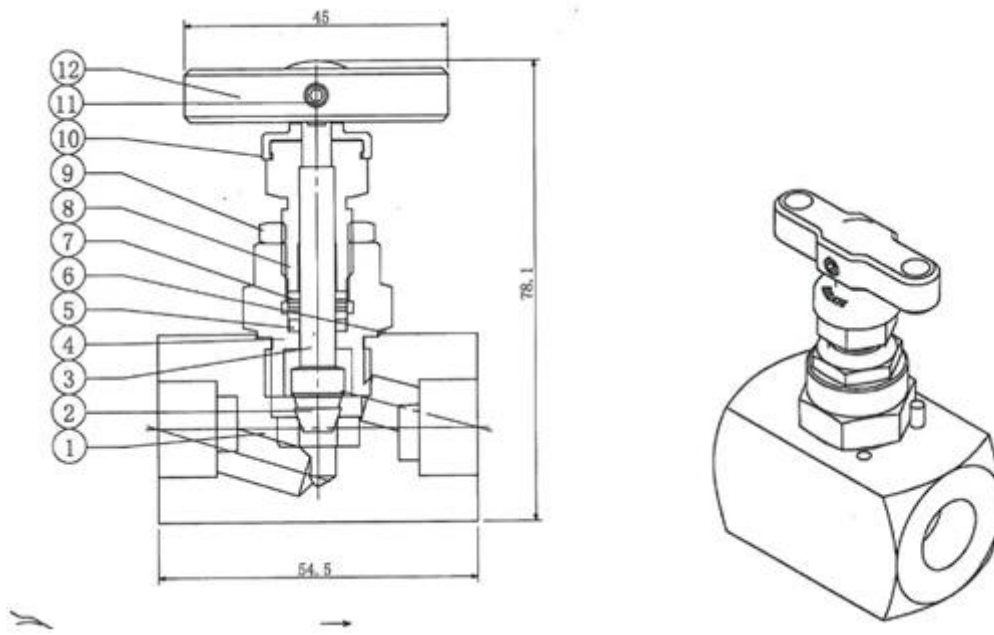


valve drawing



1. Valve design in accordance with ASTM B1.6.34
2. End to end dimensions to manufacturer standard.
3. Design pressure: 150bar

Valve parts material list for inconel600 :

Item	Part No.	Drawing No.	Material	Qty(pcs)	Remarks
1	Body	-01		1	
2	Cone Disc	-02	SIL6	1	Bought-in component
3	Stem	-03	Inconel600	1	
4	Packing gland	-04	Inconel600	1	
5	Packing shim	-05	Inconel600	1	φ6*φ10*2
6	Pin	φ3*15	Inconel600	1	Standard component
7	Packing	φ6*φ10*2	Flexible Graphite	3	Bought-in component
8	Packing nut	-06	Inconel600	1	
9	Thin hexagon nut	M12*1.25	Inconel600	1	Standard componentGB/T 808
10	Dustproof cover	-07		1	
11	Inner hexagon screw	M4*6	Inconel600	1	Bought-in standard component
12	Handle	-08		1	

