

**Material list:**

Body material:A217 WC6

Seat Ring:F11+STL 6

Wedge:A217 WC6+TL6

Stem:A182 F6a

Bonnet:F11+316

Seal ring:304+Graphite

Pin:A108 1035

Packing: Flexible graphite

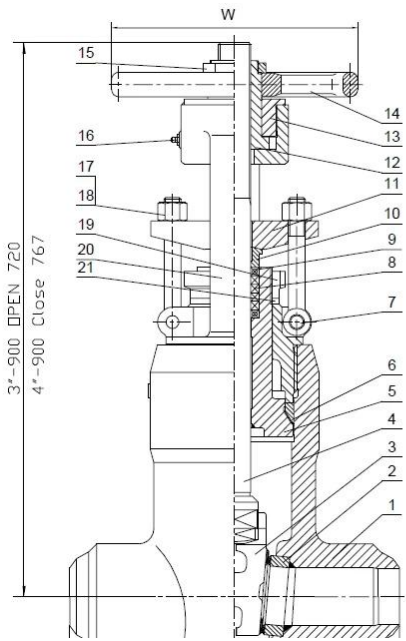
Design and manufacture stand: API 600

Face to face dimensions :ASME B16.10

Flange end dimensions: ASME B16.25

Pressure test: API STD .598

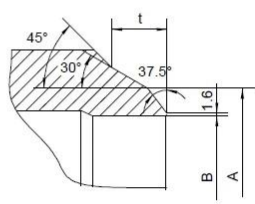
**Valve drawing**



ITEM	Nominal Diameter		Main Din		
	inches	mm	d	SCH	A
110,111	3	80	73	160	91
101	4	100	98	160	111

Design and Manufacture	API 600
Face to Face Dimensions	ASME B16.10
Flange Ends Dimensions	ASME B16.25
Pressure Test	API STD. 598

Level of leakage---API STD. 598



**Valve painting**



For more information of [pressure seal gate valve](#) please contact with Cowinns sales department.