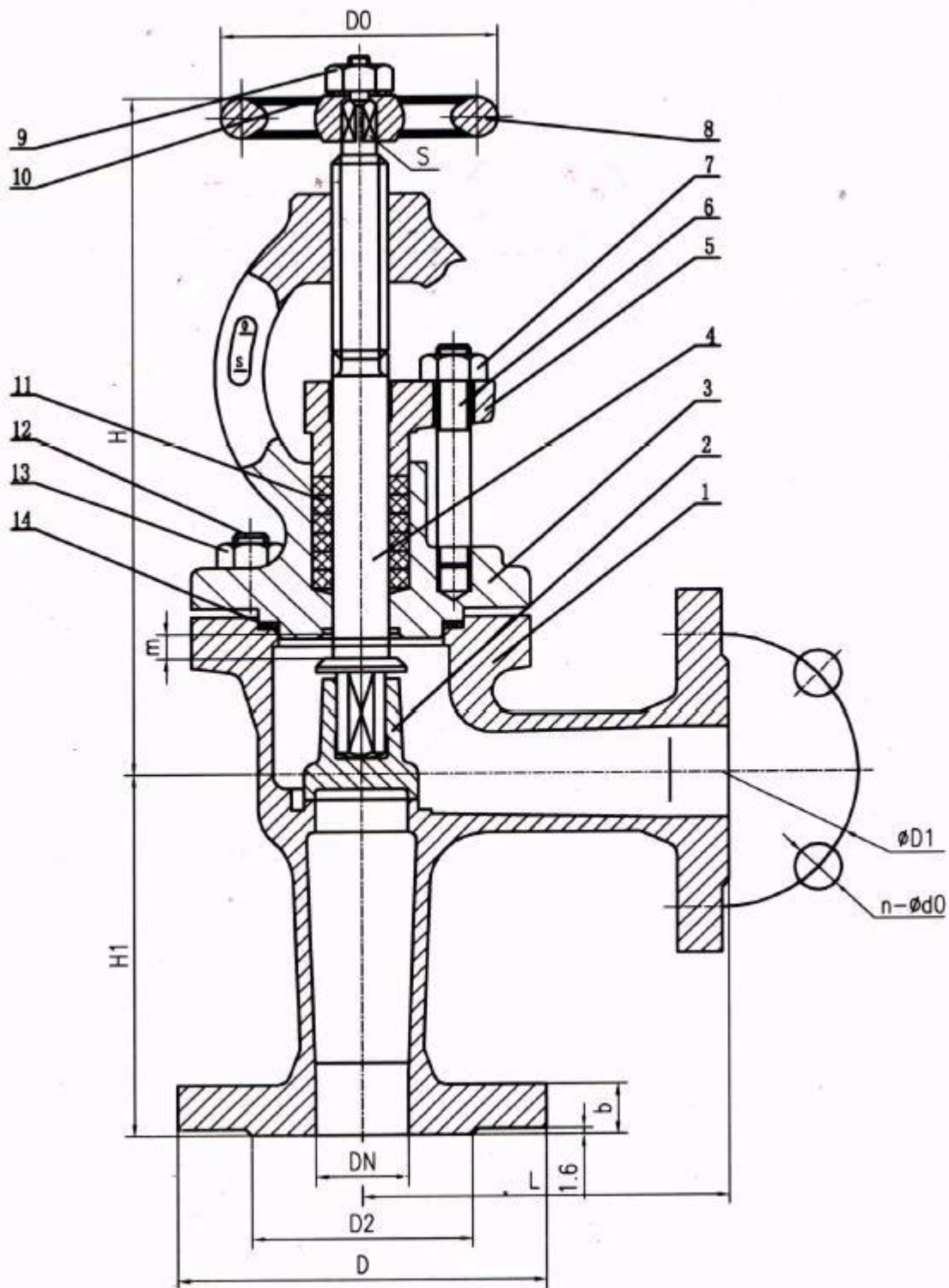


GB600-91 design and manufacture standard  
 Bolted Bonnet, OS&Y,  
 Rising Stem and Hand-wheel

Structure



Main parts material list:

- 1.Body: B62
- 2.Disc:B62
- 3.Bonnet:B62
- 4.Stem:F316
- 5.Gland:ZQA19-2

6.Bolt:HDG Q235  
7.Nut:HDG Q235  
8.Hand wheel: ZG230-450  
11.Packing:PTFE